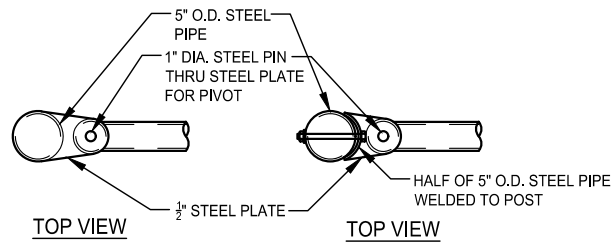
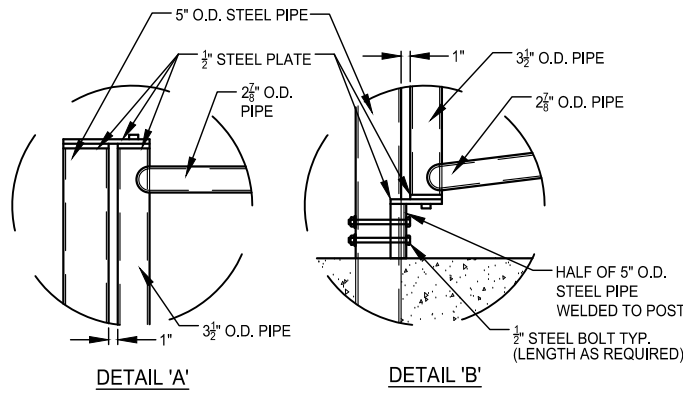


ELEVATION



TOP VIEW

TOP VIEW



DETAIL 'A'

DETAIL 'B'

NOTES:

1. DOUBLE PIPE GATES SHALL BE USED FOR ROADWAYS OR DRIVEWAYS OVER 24' WIDE OPENING.
2. ALL PIPES SHALL BE BLACK STEEL PIPES, OUTSIDE DIAMETER (O.D.) AND WELDED.
3. ALL STEEL TO BE PAINTED WITH 2 COATS OF PRIMER AND INSIGNIA YELLOW.
4. PROVIDE TWO (2) 5" O.D. PIPES AND INSTALL WITH CONCRETE FOOTING (18" X 24" D) FOR TIE-DOWN WHEN GATE IS OPENED AND CLOSED.

DATE: 09/22/2007		NOT TO SCALE	
REVISION	BY	APPROVED	DATE

CITY OF ELK GROVE - PUBLIC WORKS

APPROVED BY:
Paul Muddoch
CITY ENGINEER
10/24/2018
DATE

DOUBLE PIPE GATE



DRAWING NUMBER

L - 28